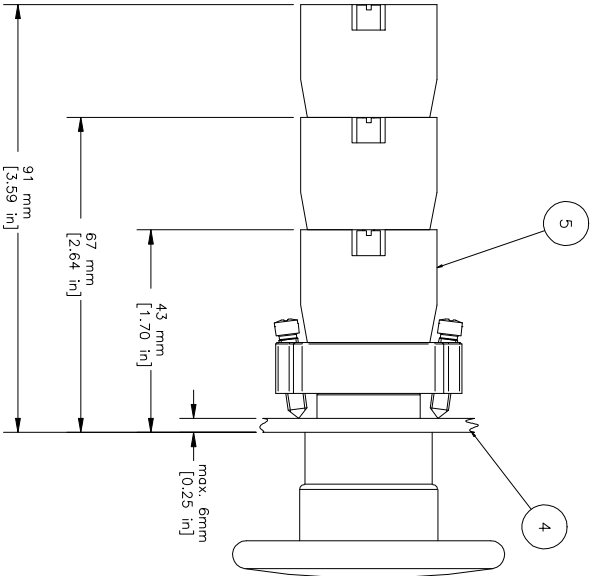
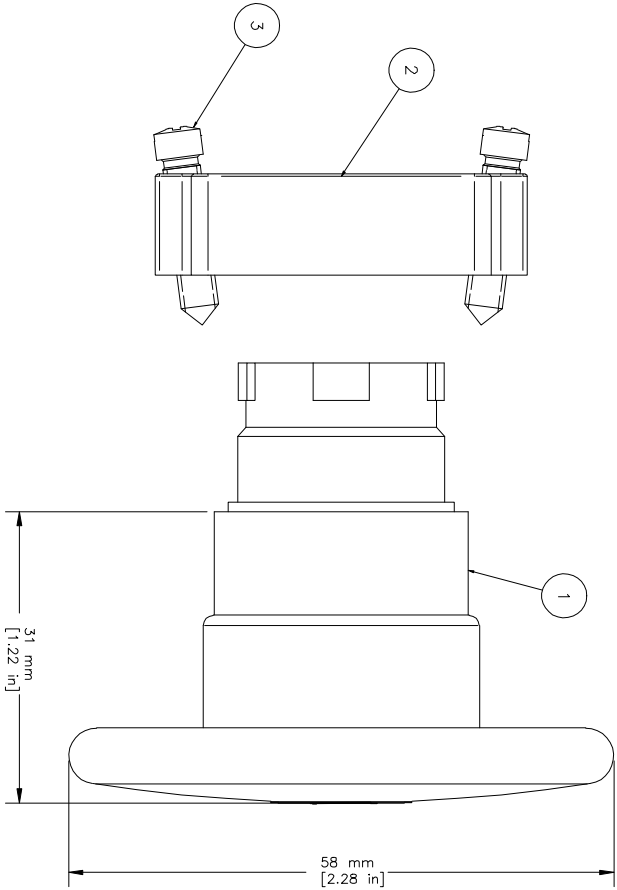
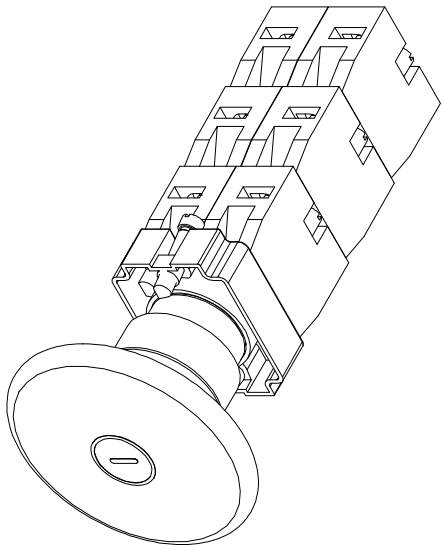


REVISIONS FOR DWG # 1PB-2AMPPJX				
REV	CH. NO.	DESCRIPTION	DATE	REVISED BY
-	-	ORIGINAL DESIGN	09/17/07	Phil E.



ITEM	DESCRIPTION	CAT. NO.	COLOR	MIN. QTY.	MAX. QTY.
1	Mushroom Push-Pull Large Operator (comes with mounting bracket 2BRK)	2AMP PJ1	White	1	1
		2AMP PJ2	Black	1	1
		2AMP PJ3	Green	1	1
		2AMP PJ4	Red	1	1
		2AMP PJ6	Blue	1	1
2	Mounting Bracket	2AMP PJ8	Yellow	1	1
		2BRK	-	1	1
3	Mounting Bracket Screws	Incl. in 2BRK	-	2	2
4	Panel	-	-	-	-
5	Switch Contacts	S1	Green	1	6
		S2	Red	1	6
		S3	Green/Gray	1	6
		S4	Red/Gray	1	6

This Drawing is the property of

Altech Corp.

35 Royal Road
Flemington NJ 08822-6000
(908) 806-9400 • Fax (908) 806-9490

- UNLESS OTHERWISE SPECIFIED
 - ALL DIMENSIONS ARE IN MILLIMETERS
 - THIRD ANGLE PROJECTION
 - TOLERANCE
- | | |
|-------|---------|
| XX | ±1 mm |
| XX X | ±0.5 mm |
| XX.XX | ±0.2 mm |
| ALL | - mm |

M-H-R-C

AND IS A CONFIDENTIAL DISCLOSURE
LENT WITHOUT CONSIDERATION OTHER
THAN THE BORROWER'S AGREEMENT
THAT IT SHALL NOT BE REPRODUCED,
COPIED, LENT, OR DISPOSED OF
DIRECTLY OR INDIRECTLY NOR USED
FOR ANY PURPOSE OTHER THAN THAT
FOR WHICH IT IS SPECIFICALLY
FURNISHED.

TITLE: 22mm Non-Illuminated Mushroom Push-Pull Metal Large Operator 2AMPPJX (x=color)

DRAWN BY:	09/17/07	DRAWING NO.:	1PB-2AMPPJX	REV.:	-
Checked By:	09/17/07	Scale:	-	Sheet:	1
Released By:	09/17/07	OF:	1		
Laszlo Gyorgypal					
Laszlo Gyorgypal					